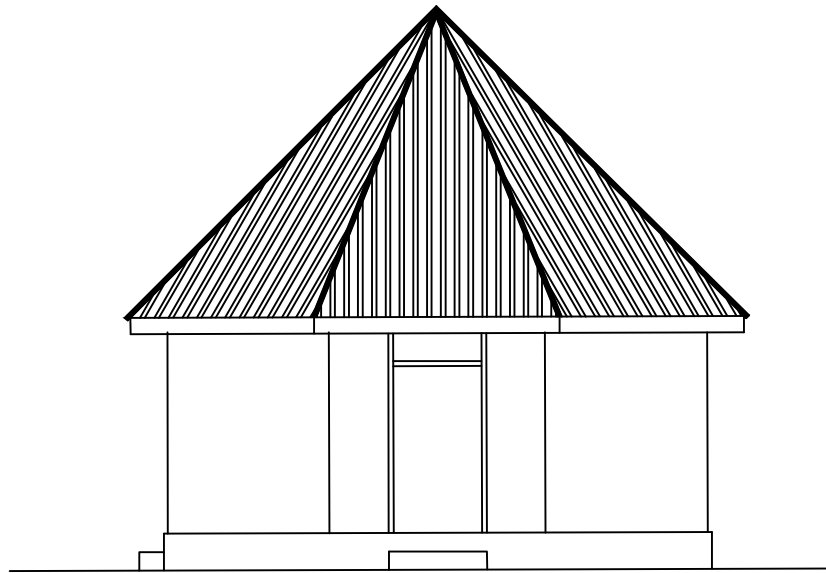


International Organization for Migration (IOM)
The UN Migration Agency

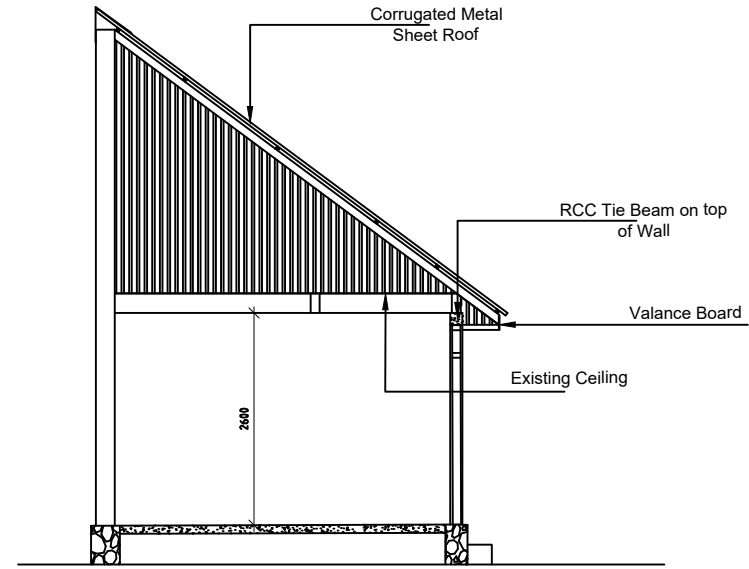
PLAN - PROPOSED STORE ROOM

RENOVATION WORKS IN MAIN TRANSIT CENTER,
KASULU

Designed by: NN	Project
Checked by:	Drawing : 01 of 08
Approved by:	Rev.
Scale: NTS	Date: 06/04/2024



FRONT ELEVATION



SECTIONAL ELEVATION

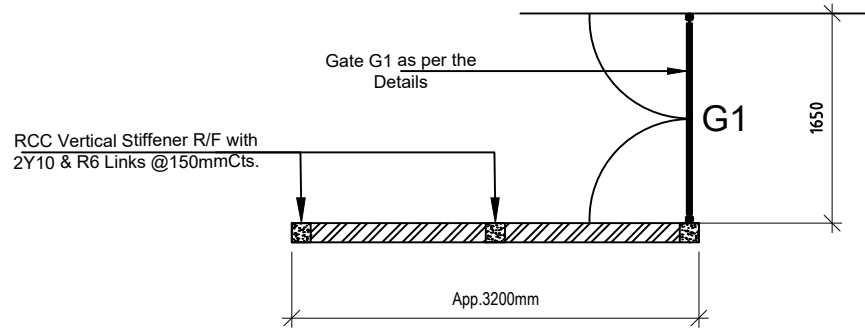


International Organization for Migration (IOM)
The UN Migration Agency

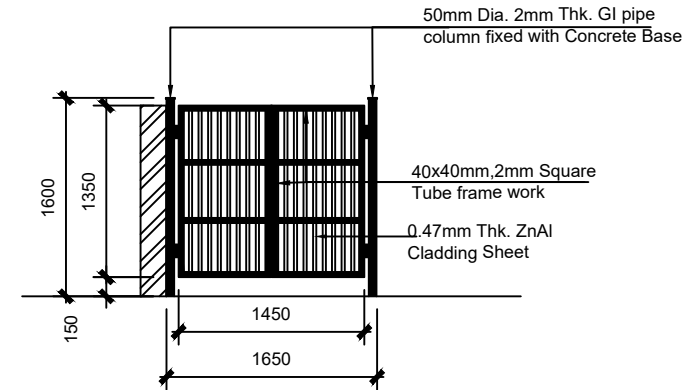
FRONT ELEVATION & SECTIONAL ELEVATION

RENOVATION WORKS IN MAIN TRANSIT CENTER,
KASULU

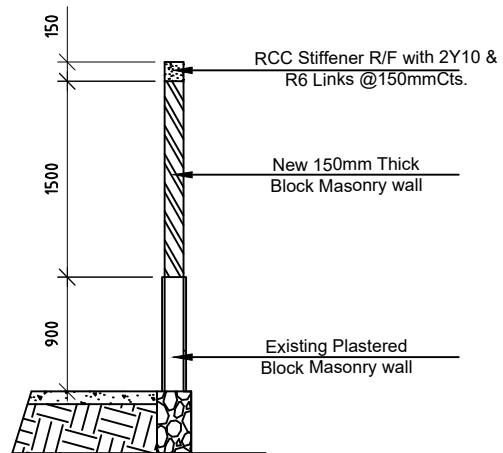
Designed by: NN	Project
Checked by:	Drawing : 02 of 08
Approved by:	Rev.
Scale: NTS	Date: 06/04/2024



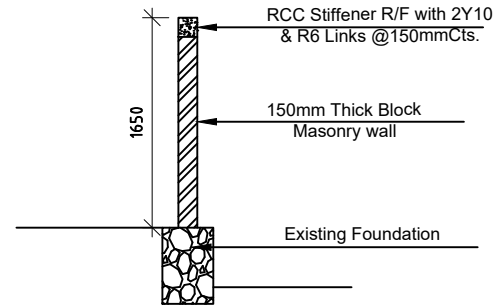
PLAN OF PARAPET WALL



DETAIL OF GATE G-1



DETAIL OF WALL RISING



DETAIL OF PARAPET WALL

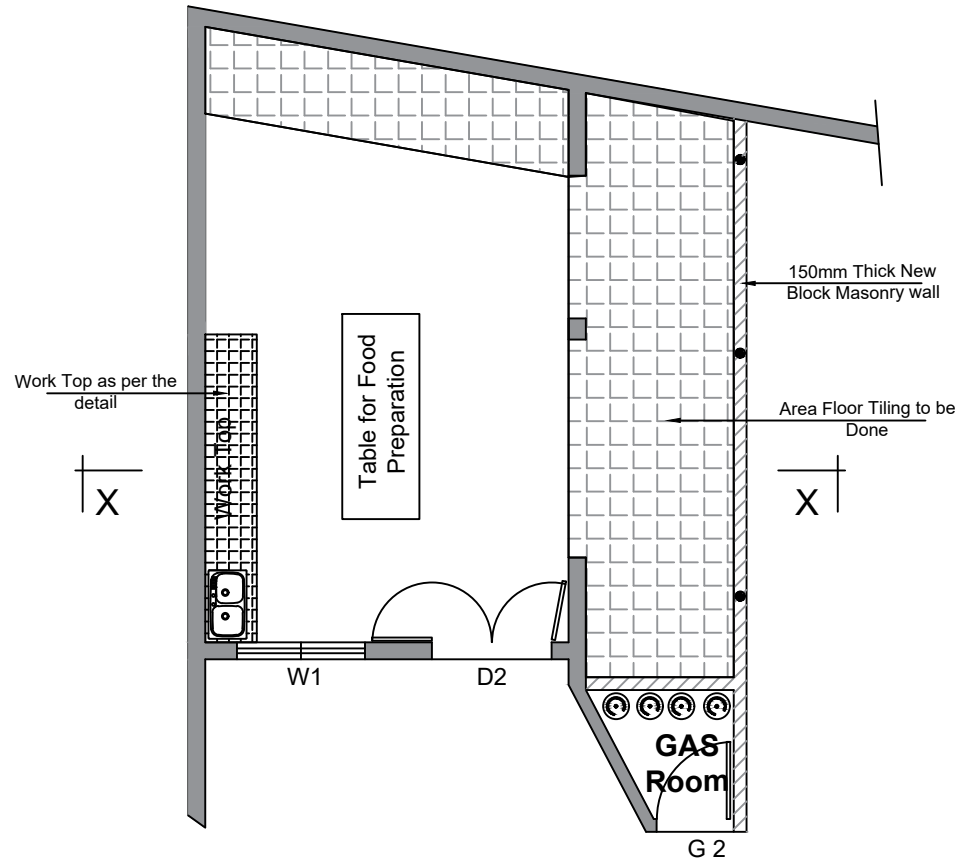
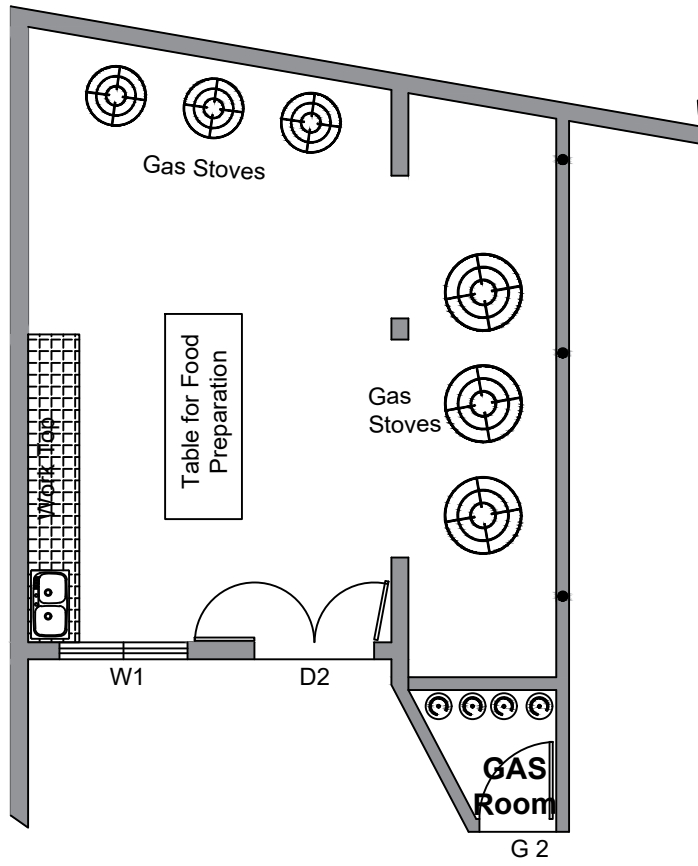


International Organization for Migration (IOM)
The UN Migration Agency

DETAILS OF WALL RASING, PARAPET WALL & GATE

RENOVATION WORKS IN MAIN TRANSIT CENTER,
KASULU

Designed by: NN	Project
Checked by:	Drawing : 03 of 08
Approved by:	Rev.
Scale: NTS	Date: 06/04/2024



Work Top as per the detail
X

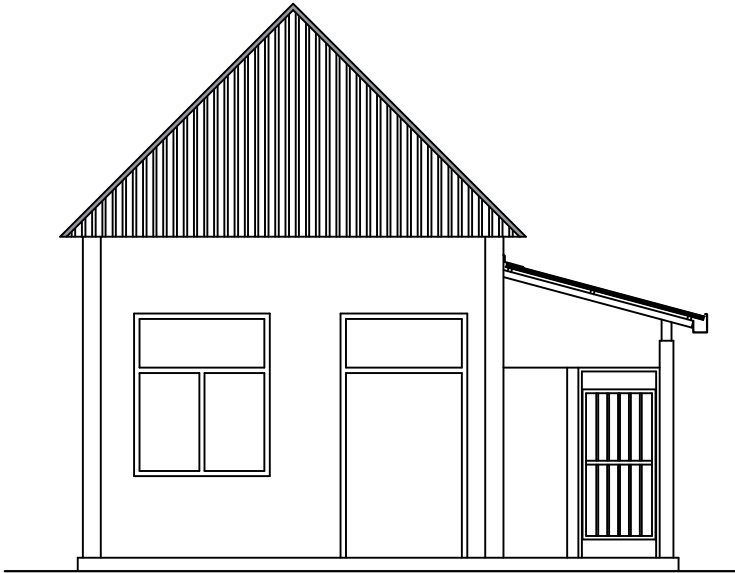
Area Floor Tiling to be Done
X



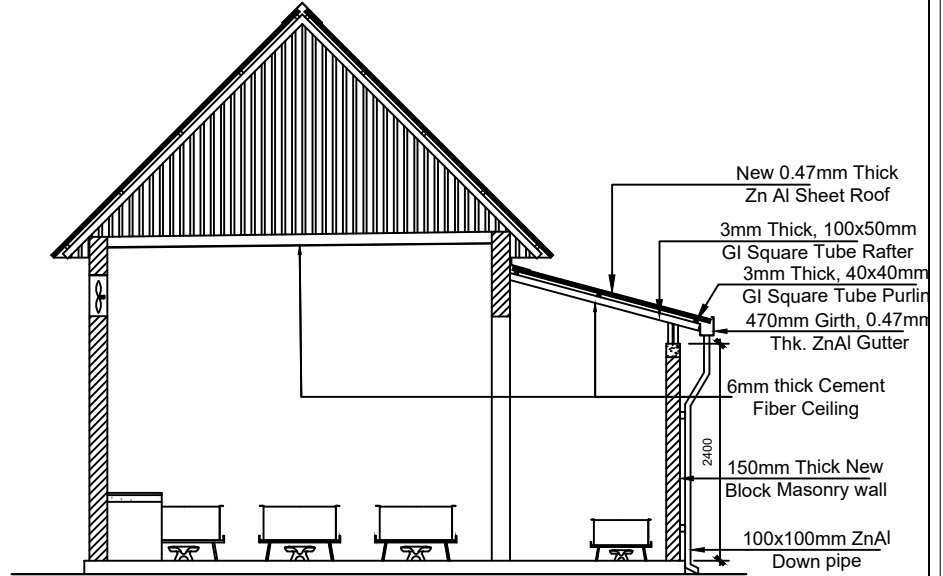
PLAN - KITCHEN

RENOVATION WORKS IN MAIN TRANSIT CENTER,
KASULU

Designed by: NN	Project
Checked by:	Drawing : 04 of 08
Approved by:	Rev.
Scale: NTS	Date: 06/04/2024



FRONT ELEVATION



SECTIONAL ELEVATION

Note :

1. Renovation to be done, therefore dimensions are not given.
2. Site visit is mandatory for the vendors for clear understanding of the scope of work. .Vendor must visit the site and

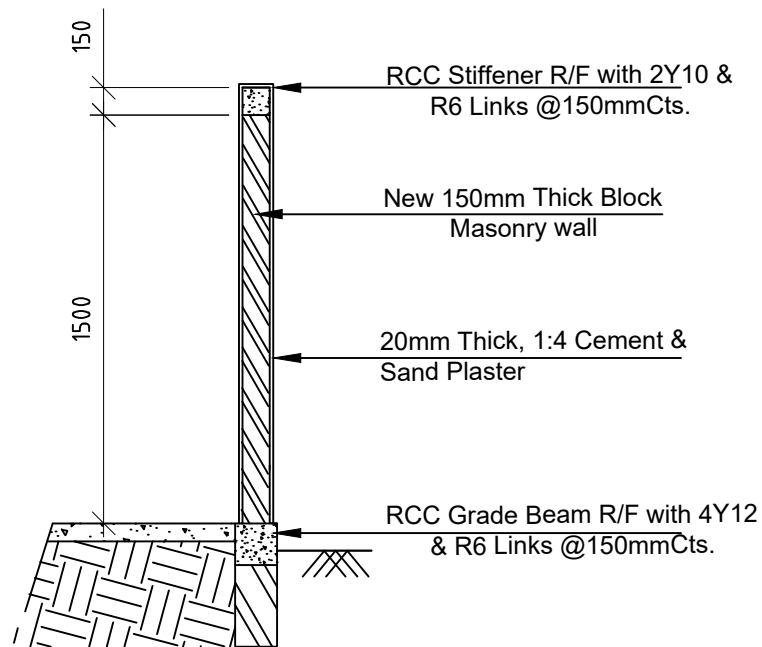


International Organization for Migration (IOM)
The UN Migration Agency

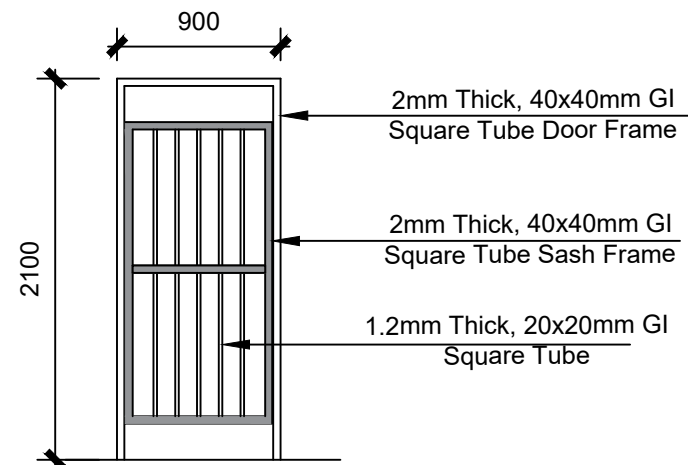
FRONT & SECTIONAL ELEVATION - KITCHEN

RENOVATION WORKS IN MAIN TRANSIT CENTER,
KASULU

Designed by: NN	Project
Checked by:	Drawing : 05 of 08
Approved by:	Rev.
Scale: NTS	Date: 06/04/2024



DETAIL OF WALL



DETAIL OF GATE G2



International Organization for Migration (IOM)
The UN Migration Agency

DETAIL OF NEW WALL & GATE G-2, KITCHEN

RENOVATION WORKS IN MAIN TRANSIT CENTER,
KASULU

Designed by: NN

Project

Checked by:

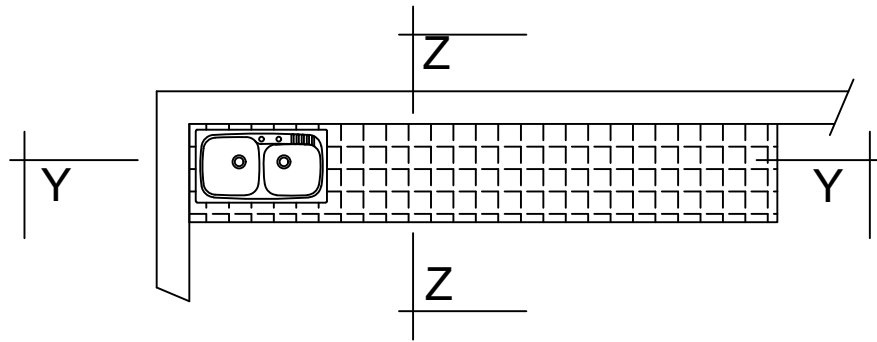
Drawing : 06 of 08

Approved by:

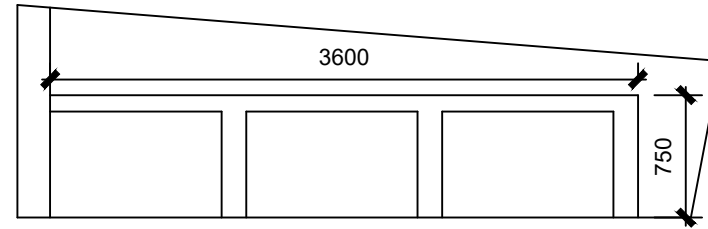
Rev.

Scale: NTS

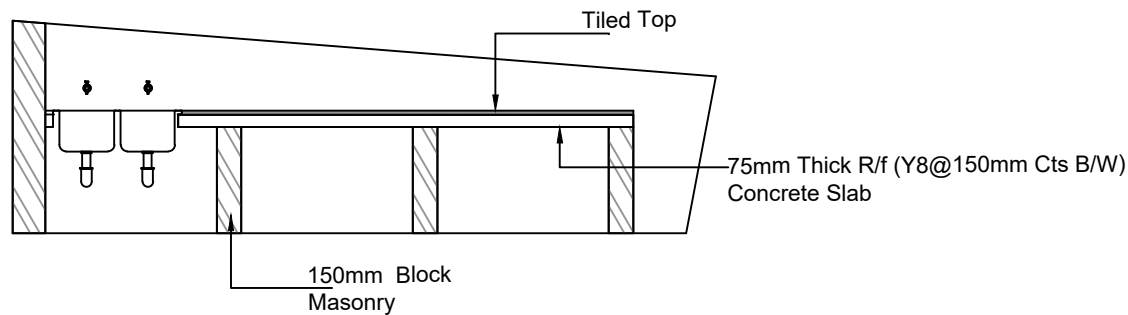
Date: 06/04/2024



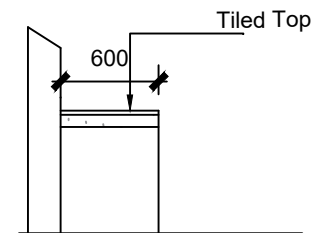
PLAN



FRONT ELEVATION



SECTION ON Y - Y



SECTION ON Z - Z



International Organization for Migration (IOM)
The UN Migration Agency

DETAIL OF WORK TOP, KITCHEN

RENOVATION WORKS IN MAIN TRANSIT CENTER,
KASULU

Designed by: NN

Project

Checked by:

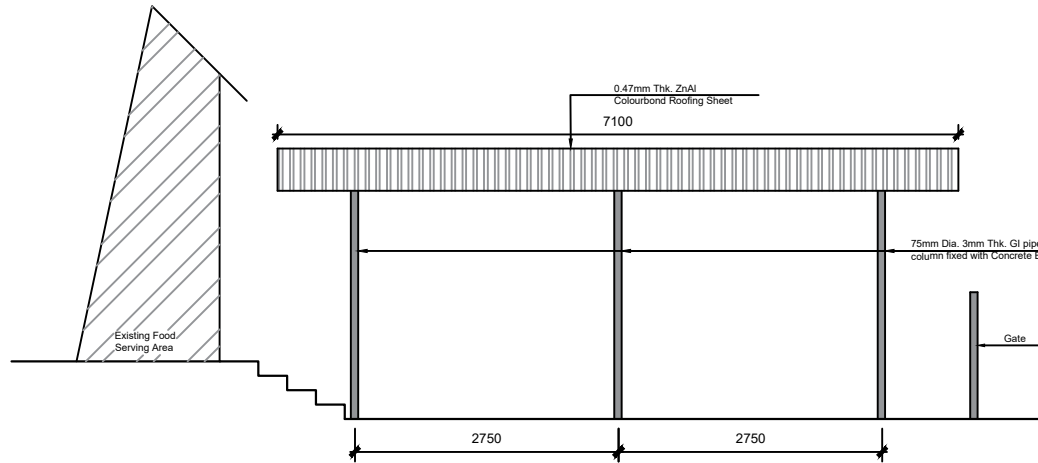
Drawing : 07 of 08

Approved by:

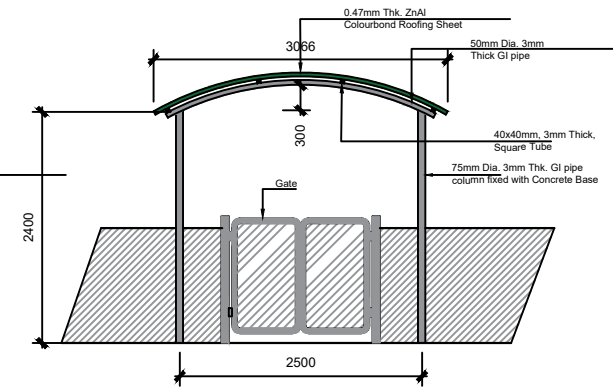
Rev.

Scale: NTS

Date: 06/04/2024



SIDE ELEVATION



FRONT ELEVATION



International Organization for Migration (IOM)
The UN Migration Agency

SHADE FOR WAITING AREA
FOOD SERVING AREA
RENOVATION WORKS IN MAIN TRANSIT CENTER,
KASULU

Designed by: NN

Project

Checked by:

Drawing : 08 of 08

Approved by:

Rev.

Scale: NTS

Date: 06/04/2024